




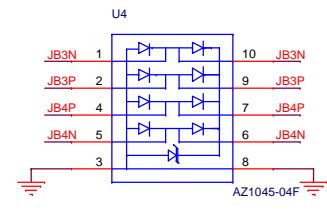
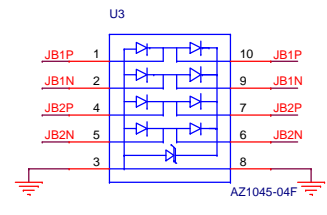
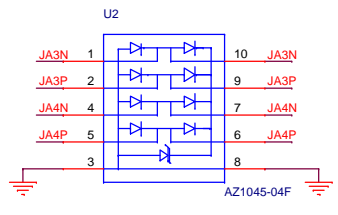
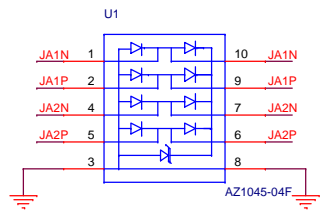
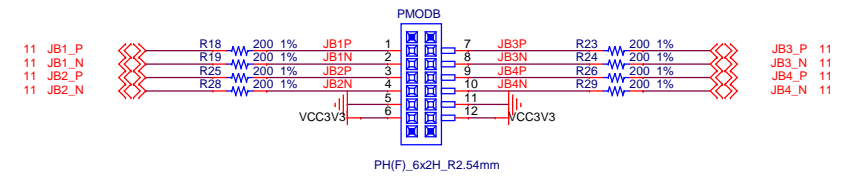
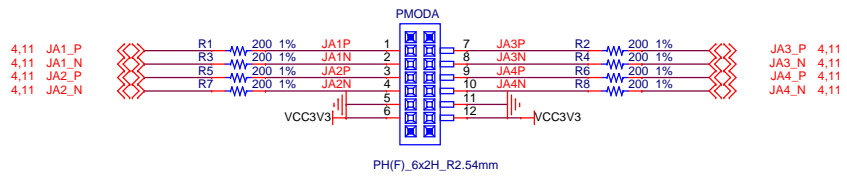
Page	Index
01	Cover Page
02	Revision History
03	PMODs, Buttons, LEDs
04	RaspberryPi and Arduino I/Os
05	Ethernet and SD Card
06	HDMI
07	USB & Audio
08	JTAG
09	FPGA Configuration, Flash
10	DDR and MIO Banks
11	FPGA Banks, Anti Alias Filters
12	FPGA Power
13	DDR3 Memory
14	Power Regulation
15	Power Regulation 2



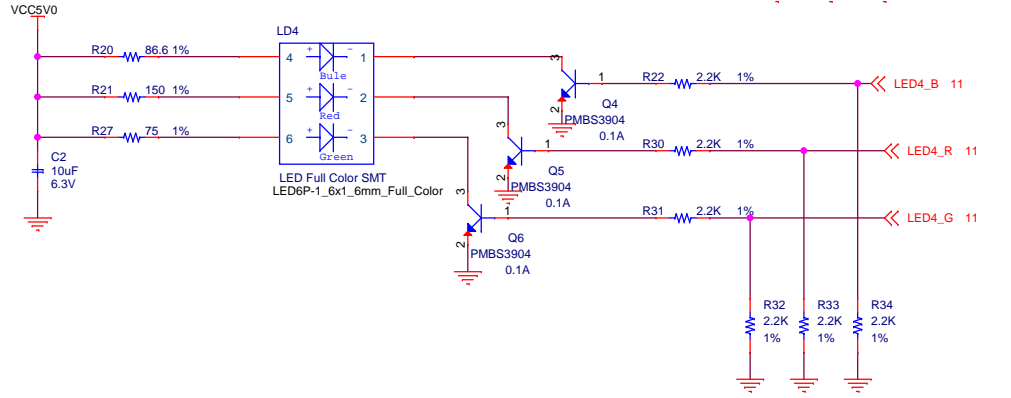
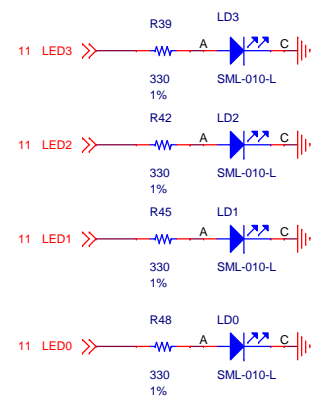
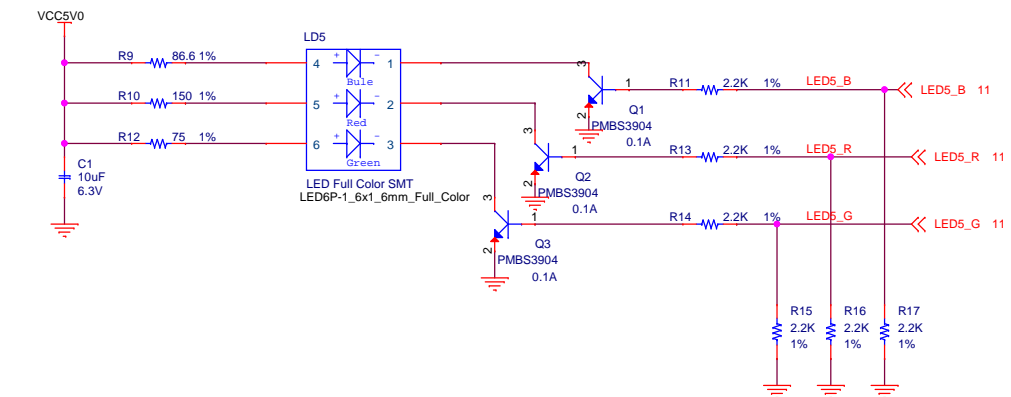
**REVISION HISTORY:**


<u>REV</u>	<u>DATE</u>	<u>NOTE</u>
B	2017.09	<p>Page 7: Change BTN1~4 pin definition</p> <p>Page 9: Change R296 pull up to +3.3V power rail. ADD B3 DEL L1</p> <p>Page 10: Change Q7 to NC7SZ125M5X installed. Change Q8 to 2N7002 installed.</p> <p>Page 11: ADD C125 Change U9 PIN30 to PULL HI 1.8V Change U9 PIN29 to OTG_STP Change U11 PIN30 pill down Change U11 PIN18 pill down</p> <p>Page 12: Add pull up resistor for JTAG signal Change JTAG power name ADD R316~319 Change U12 PIN38,39 net name</p> <p>Page 14: Change R232 PIN1 net name</p> <p>Page 19: Modify JTAG POWER name for MAIN Power Select Change R292 to 100K Change C210 to 22uF/25V</p> <p>Page 8: JA4_P , JA4_N LINK TO RPL_IDE PIN3,5 RPL_IDE PIN12,16 SWAP PIN27,28</p> <p>Page 15: SOC PIN : V5 MODIFY NET NAME TO AU_RESET SOC PIN : U5 MODIFY NET NAME TO AU_MCLK_R</p> <p>Page 11: DEL C84,OSC2 ADD R312</p>

 <p><b>Tul</b> 撼訊科技 www.tul.com.tw</p>	<p><b>Tul Corporation</b> 7F-7, NO.79, HSIN TAI WU RD, SEC 1, HSI-CHIH, TAIPEI HSIEN, TAIWAN 221 TEL: +886 2 8698 3000 FAX: +886 2 8698 3456</p>		
	<p>Title: Revision History</p>		
Size: A3	Document Number: PVNQ-Z2	Rev: R10	
Date: Monday, March 19, 2018	Sheet: 2	of: 15	



## PMOD Buttons & LEDs





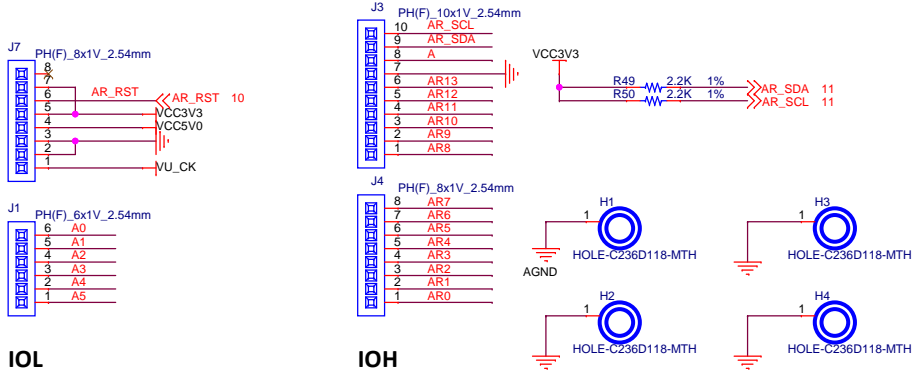
撼訊科技  
www.tul.com.tw

**Tul Corporation**

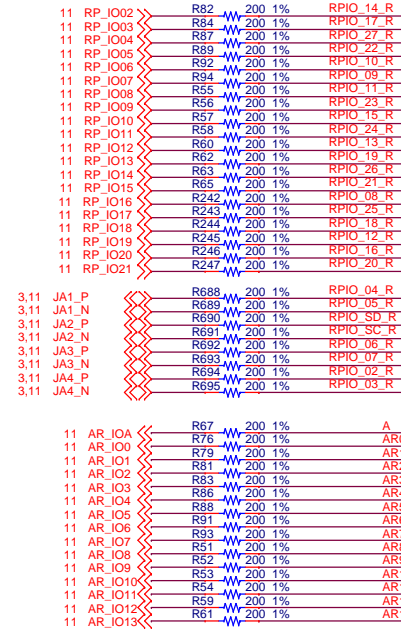
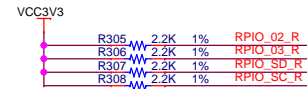
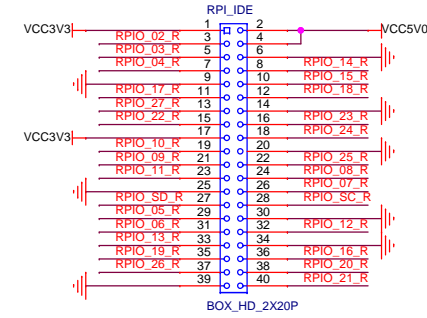
7F-7, NO.79, HSIN TAI WU RD. SEC 1,  
HSI-CHIH, TAIPEI HSIEN, TAIWAN 221  
TEL: +886 2 8698 3000 FAX: +886 2 8698 3456

Title			PMODs, Buttons, LEDs		
Size	Document Number		Rev		
A3	PVNO-ZZ		R10		
Date:	Monday, March 19, 2016	Sheet	3	of	15

# Arduino I/Os



# Raspberry Pi



**NOTE : SHARE PIN  
(REFERENCE TABLE)**

XC7Z020 PIN NAME	PMODA PIN NAME	RASPBERRY PI PIN NAME
IO_L17P_T2_34	JA1P	RPIO_04_R
IO_L17N_T2_34	JA1N	RPIO_05_R
IO_L7P_T1_34	JA2P	RPIO_SD_R
IO_L7N_T1_34	JA2N	RPIO_SC_R
IO_L12P_T1_MRCC_34	JA3P	RPIO_06_R
IO_L12N_T1_MRCC_34	JA3N	RPIO_07_R
IO_L22P_T3_34	JA4P	RPIO_02_R
IO_L22N_T3_34	JA4N	RPIO_03_R

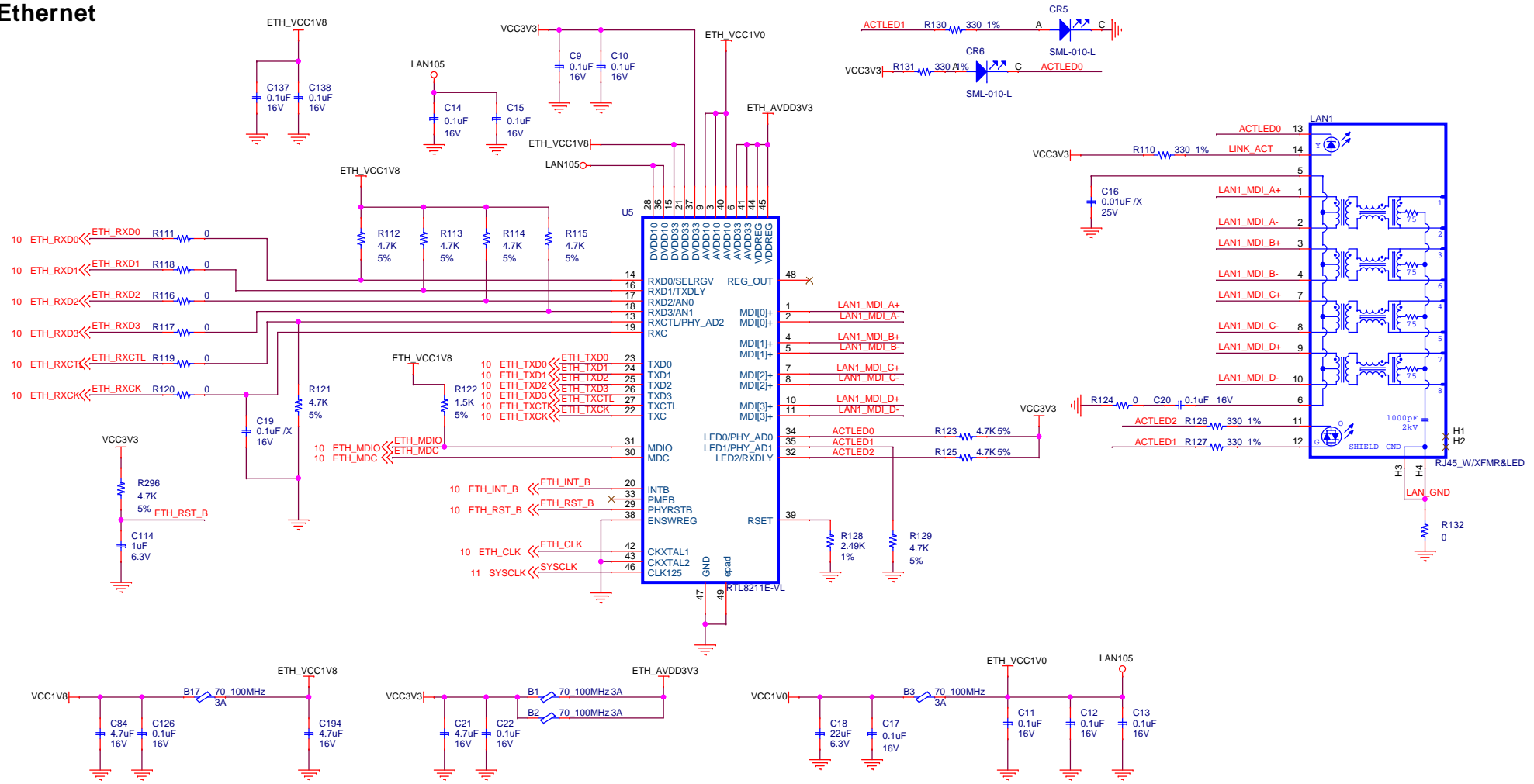


## Tul Corporation

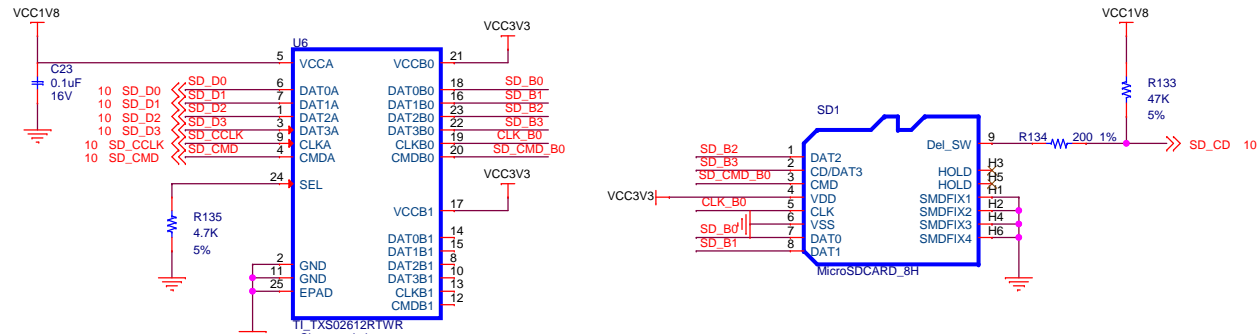
7F-7,NO.79, HSIN TAI WU RD. SEC 1,  
HSI-CHIH, TAIPEI HSIEN, TAIWAN 221  
TEL: +886 2 8698 3000 FAX: +886 2 8698 3456


Title		
Size	Document Number	Rev
A3	PVNO-Z2	R10
Date:	Monday, March 19, 2018	Sheet 4 of 15

# Ethernet



# SD CARD



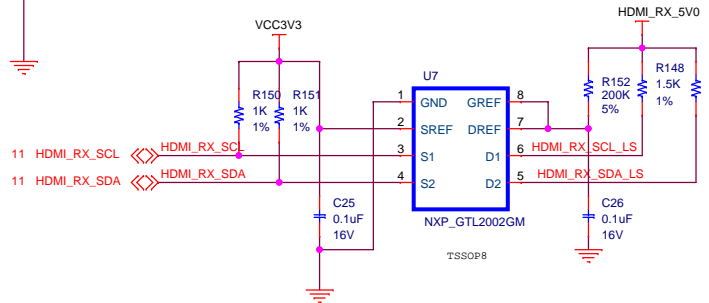
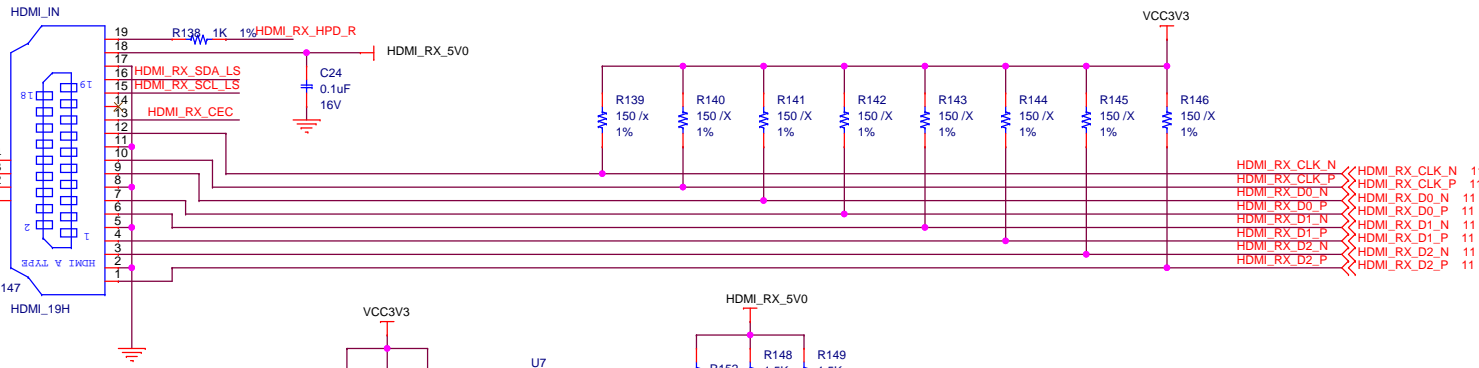
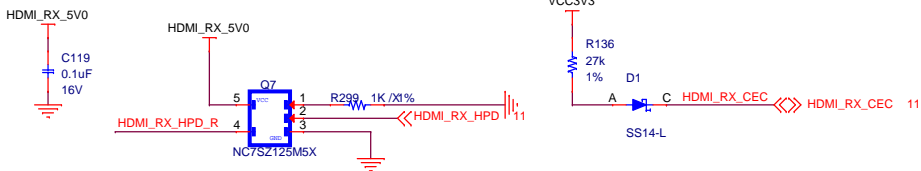


**Tul Corporation**  
TUL  
據訊科技  
www.tul.com.tw

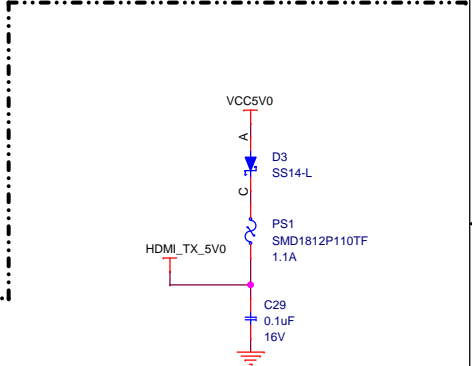
**Tul Corporation**

7F-7, NO. 79, HSIIN TAI WU RD. SEC 1,  
HSI-CHIH, TAIPEI HSIEN, TAIWAN 221  
TEL: +886 2 8698 3000 FAX: +886 2 8698 3456

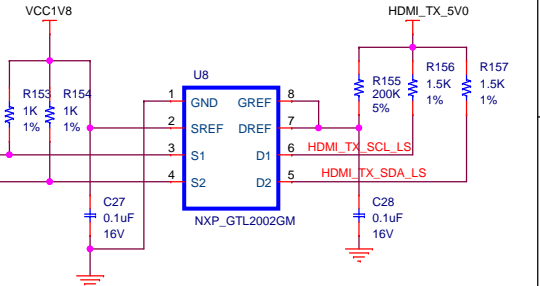
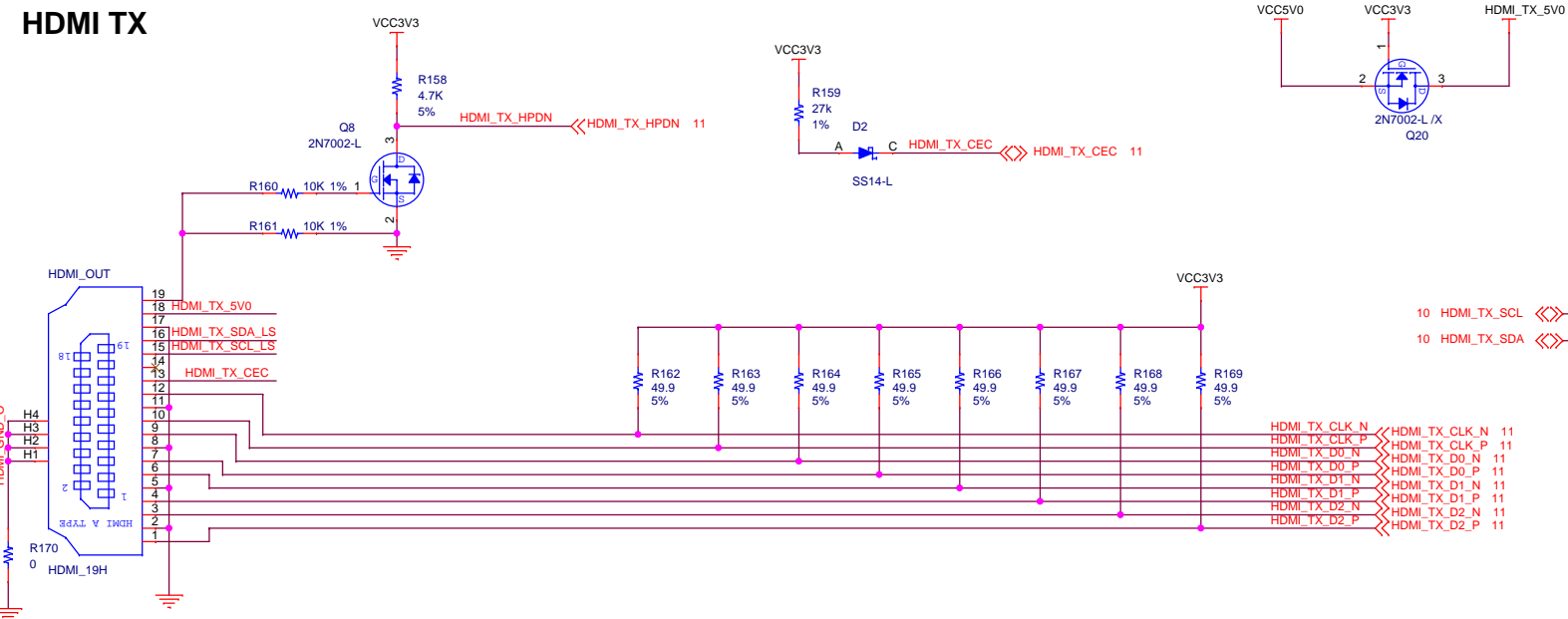
Title: Ethernet and SD Card			
Size: A3	Document Number: PVNO-ZZ	Rev: R10	
Date: Monday, March 19, 2018	Sheet: 5	of 15	



**HDMI RX**

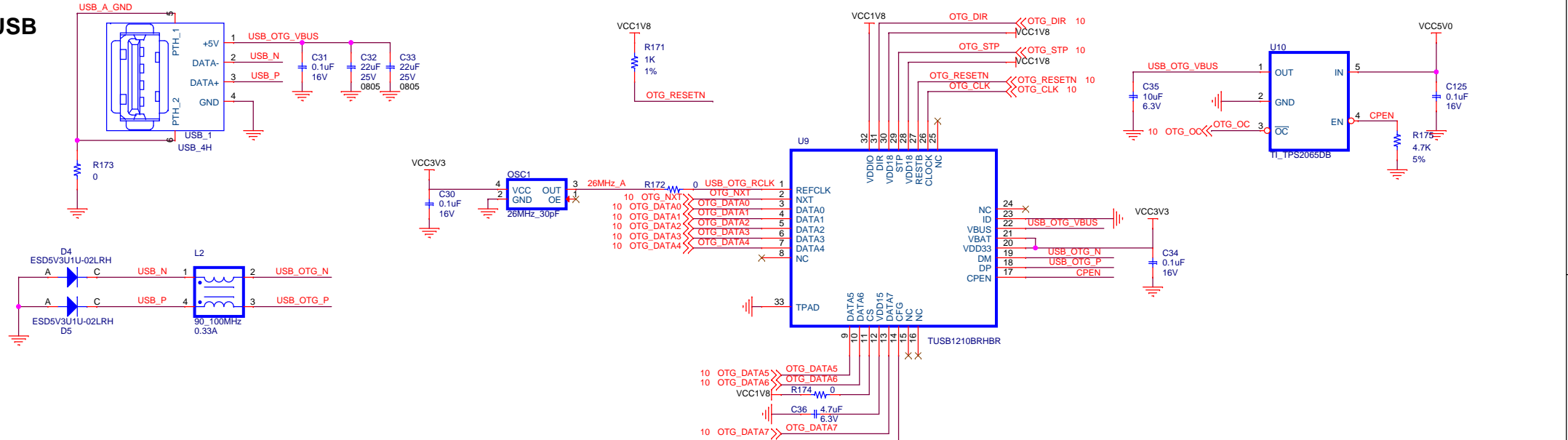


**HDMI TX**

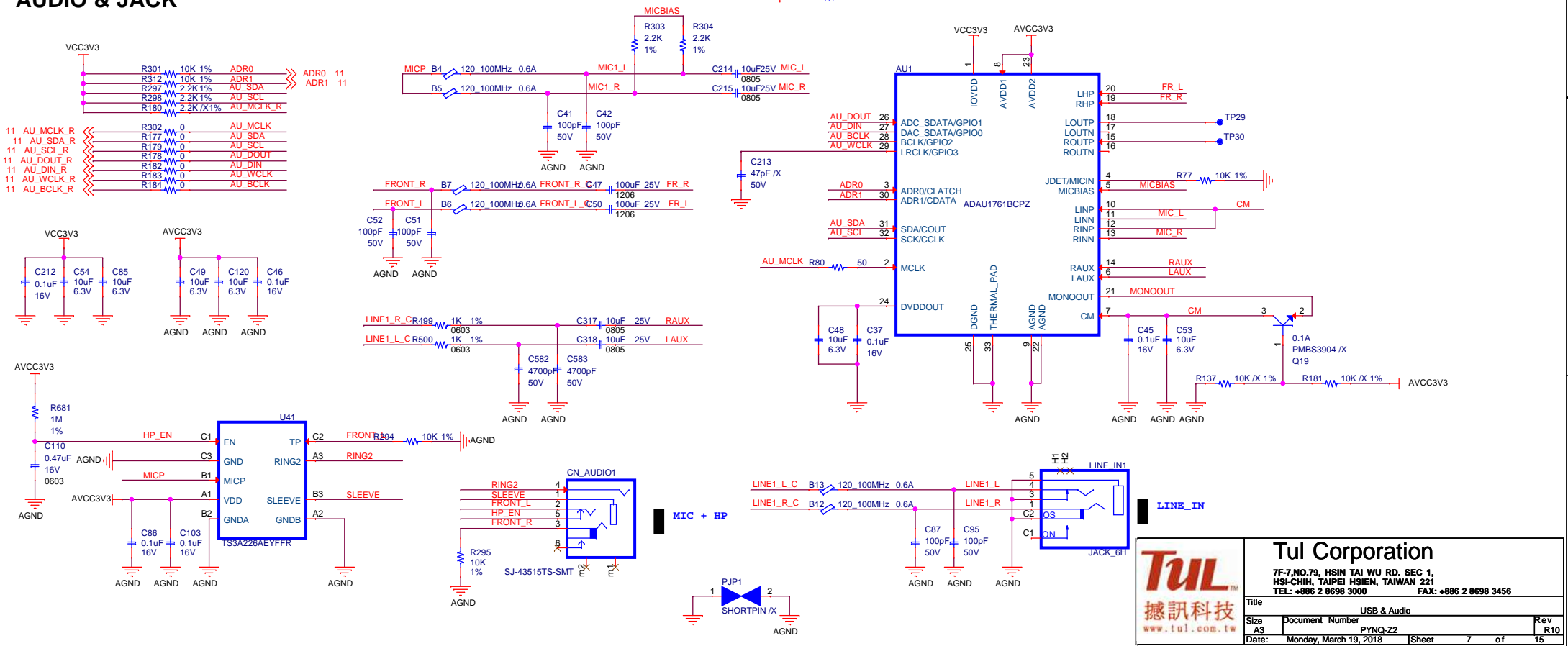



<b>Tul Corporation</b>			
7F-7, NO. 79, HSIN TAI WU RD. SEC 1, HSI-CHIH, TAIPEI HSIEN, TAIWAN 221			
TEL: +886 2 8698 3000		FAX: +886 2 8698 3456	
Title	HDMI		
Size	Document Number	Rev	
A3	PVNO-ZZ	R10	
Date:	Monday, March 19, 2018	Sheet	6 of 15

# USB



# AUDIO & JACK



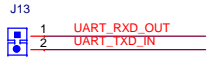
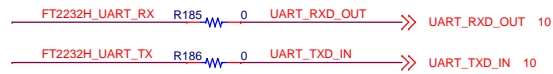


www.tul.com.tw

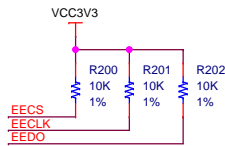
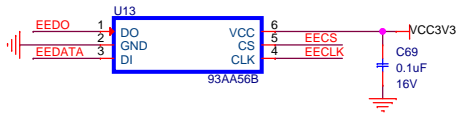
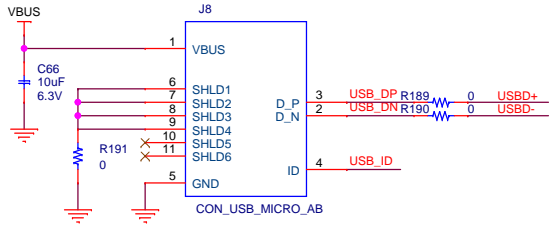
### Tul Corporation

7F-7, NO.79, HSIN TAI WU RD. SEC 1,  
HSI-CHIH, TAIPEI HSIEN, TAIWAN 221  
TEL: +886 2 8698 3000 FAX: +886 2 8698 3456

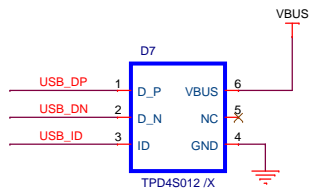
Title		
Size A3	Document Number PVNO-Z2	Rev R10
Date: Monday, March 19, 2018		
Sheet 7 of 15		



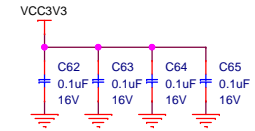
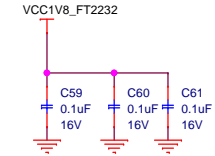
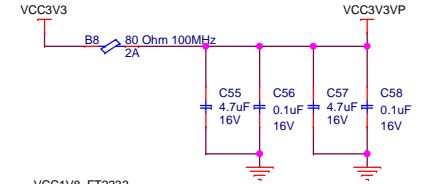
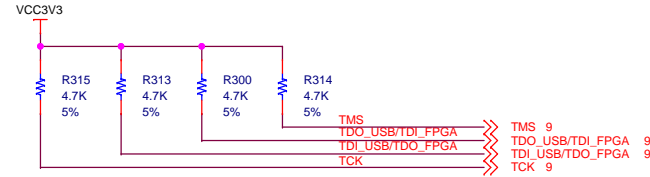
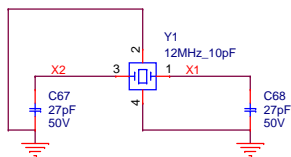
PH\_2x1V\_2.54mm /X



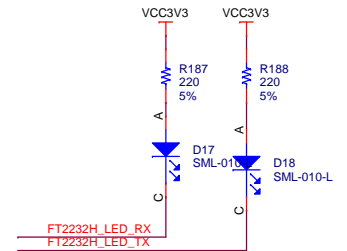
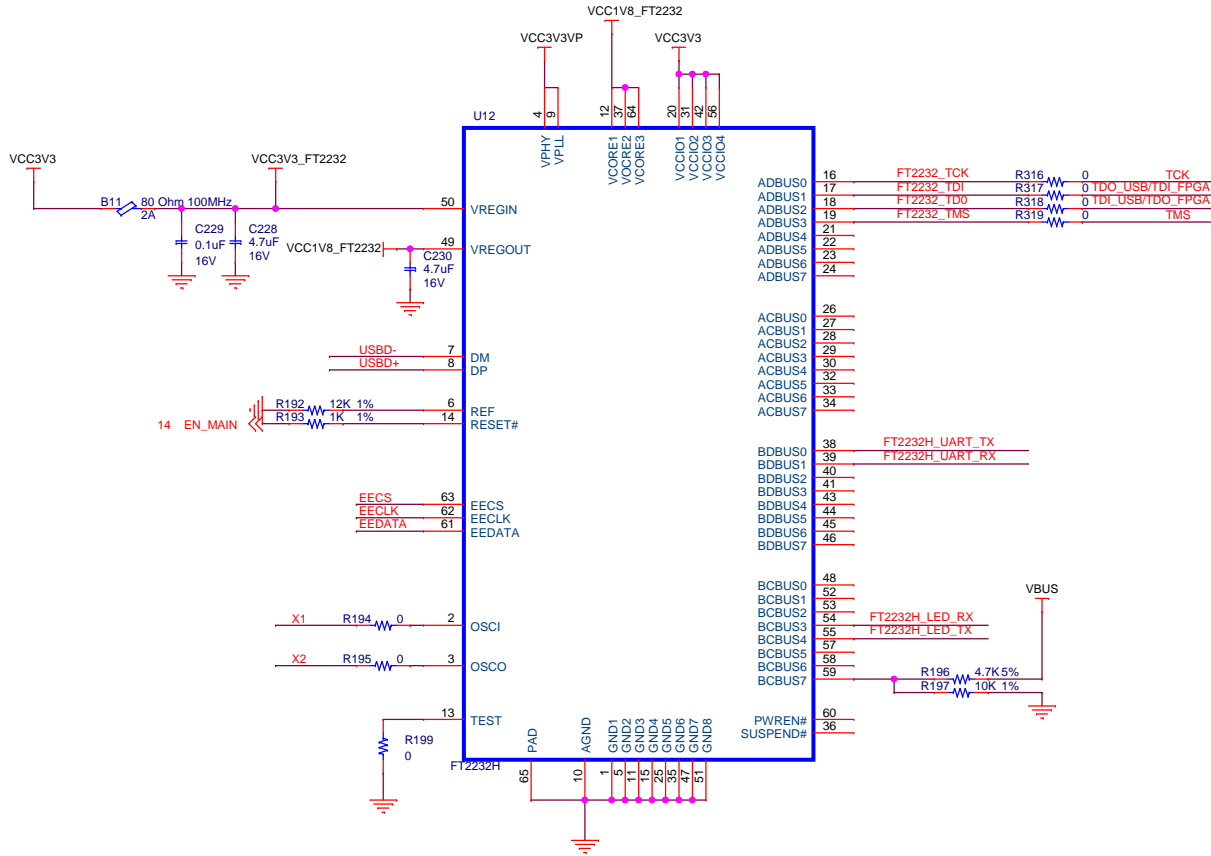
EEDATA R203 2.2K 1% EEDO



X1 R198 20M /X 5% X2



### FT2232HL, QFN-64

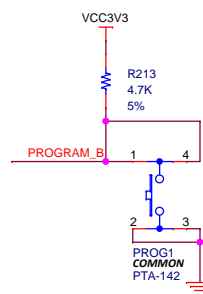
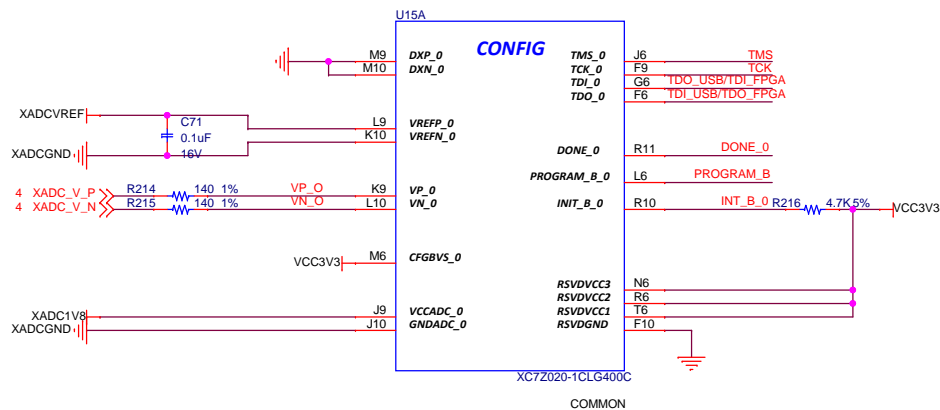
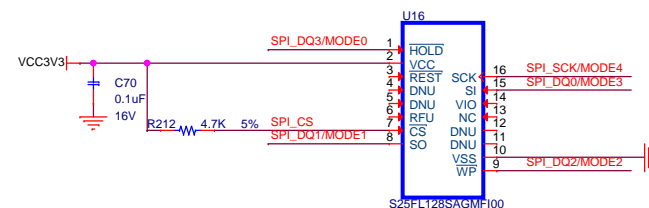
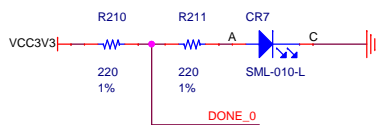
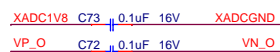
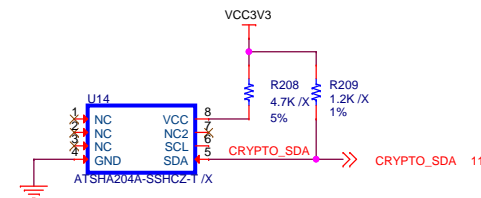
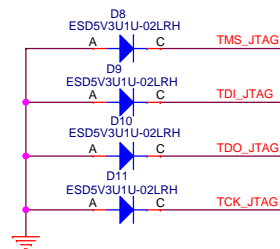
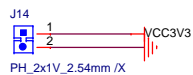
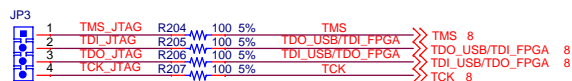
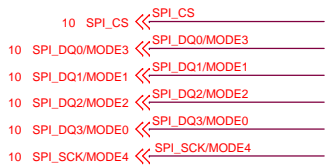


### Tul Corporation

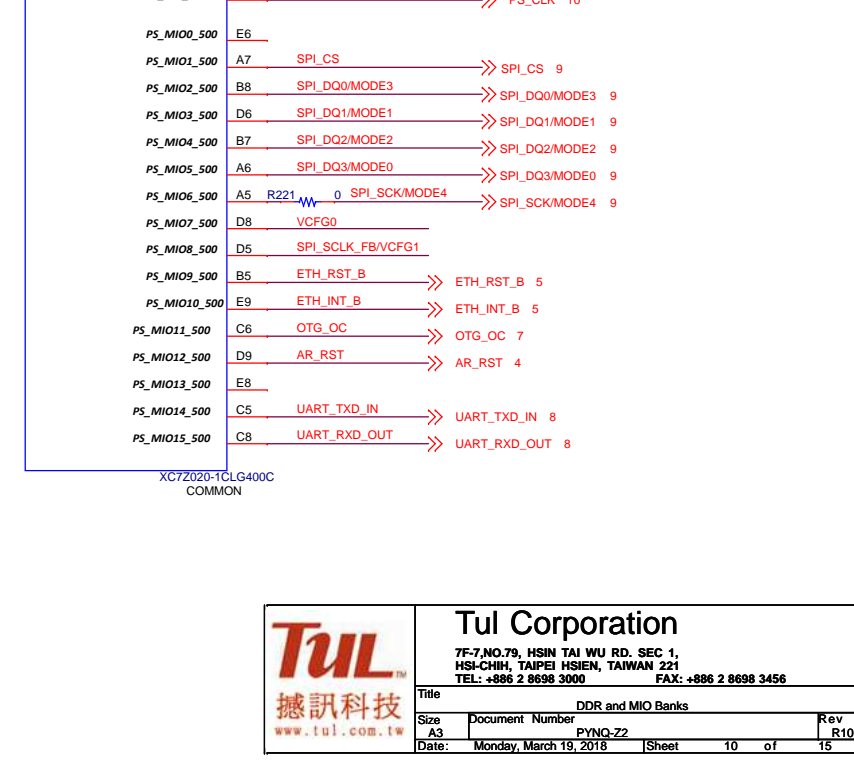
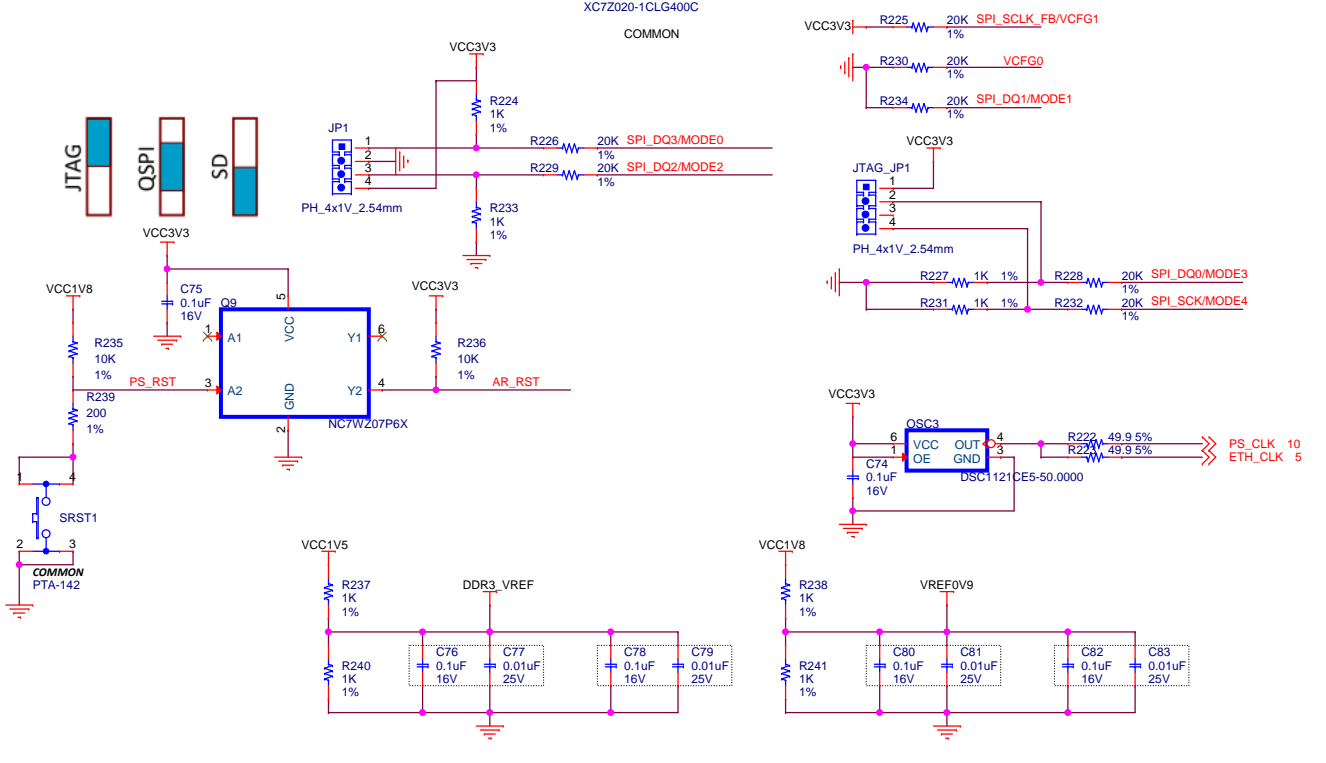
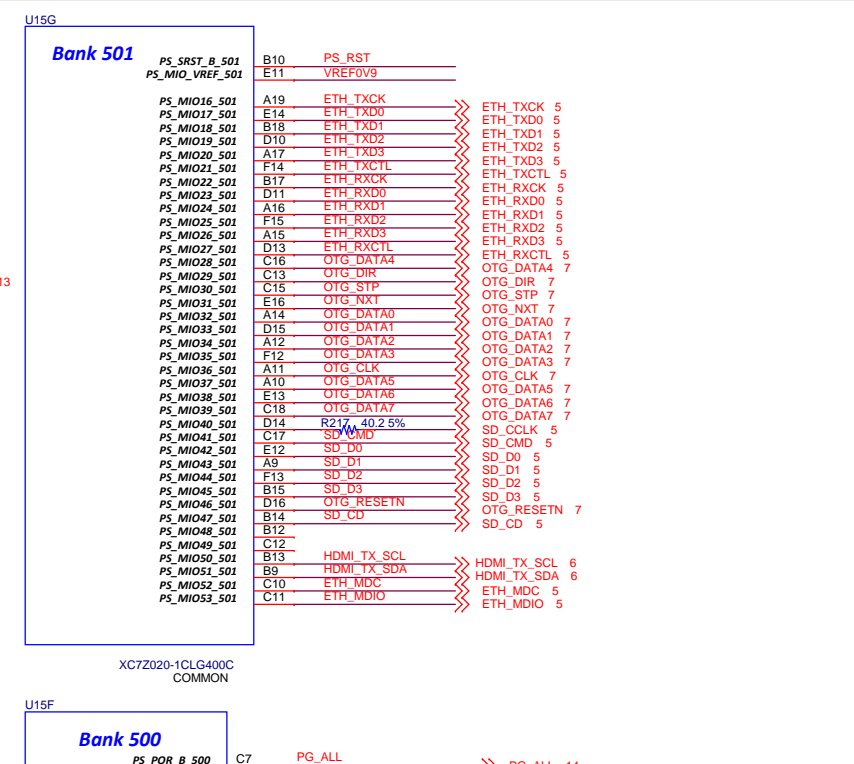
7F-7, NO. 79, HSIN TAI WU RD. SEC 1,  
HSI-CHIANG, TAIPEI HSIEN, TAIWAN 221  
TEL: +886 2 8698 3000 FAX: +886 2 8698 3456


Title				JTAG	
Size	Document Number	Rev		R10	
A3	PVNO-ZZ	Date:		Monday, March 19, 2018	
Sheet			8 of 15		





 撼訊科技 <a href="http://www.tul.com.tw">www.tul.com.tw</a>	<b>Tul Corporation</b> 7F-7, NO.79, HSIN TAI WU RD. SEC 1, HSI-CHIHI, TAIPEI HSIEN, TAIWAN 221 TEL: +886 2 8698 3000 FAX: +886 2 8698 3456		
	Title FPGA Configuration, Flash Size A3 Document Number PYN0-ZZ Rev R10 Date: Monday, March 19, 2018 Sheet 9 of 15		



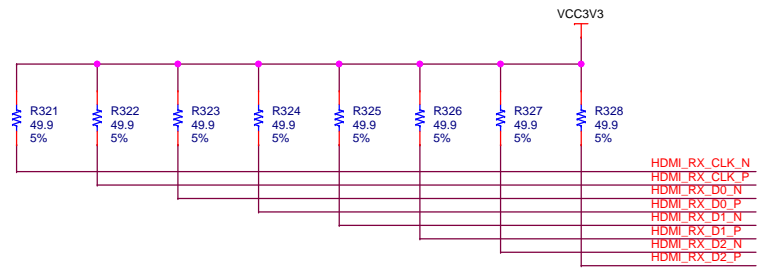
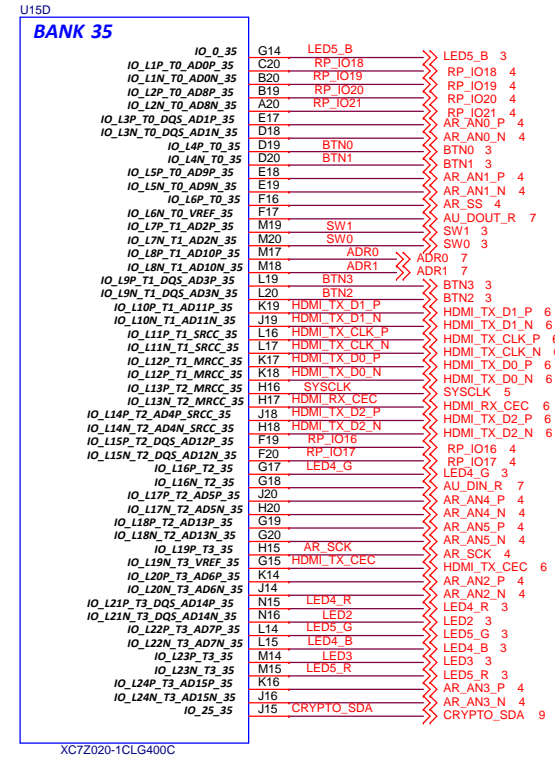
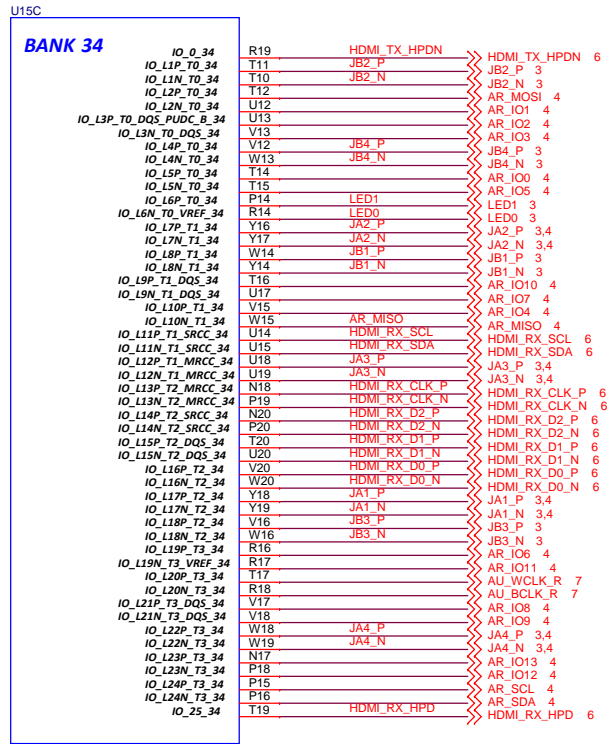
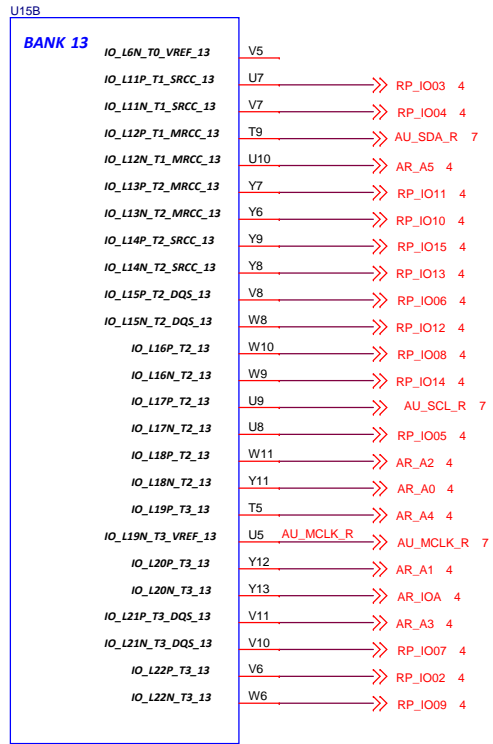


www.tul.com.tw

### Tul Corporation

7F-7 NO.79, HSIN TAI WU RD. SEC 1,  
HSI-CHIH, TAIPEI HSIEN, TAIWAN 221  
TEL: +886 2 8698 3000 FAX: +886 2 8698 3456

Title			
Size	Document Number	PYN0-Z2	Rev
A3			R10
Date:		Monday, March 19, 2018	Sheet 10 of 15



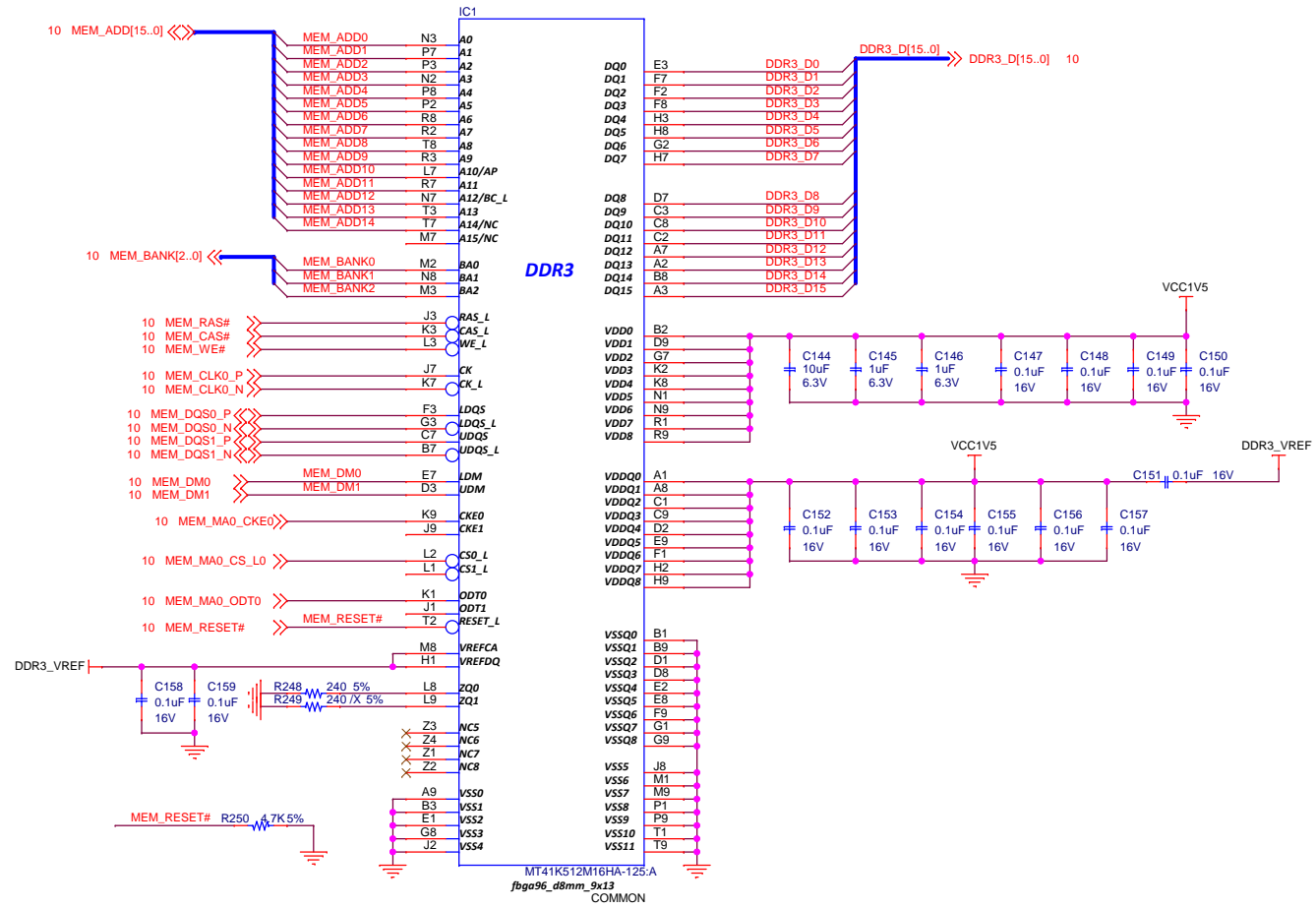
**Tul Corporation**  
7F-7, NO. 79, HSIN TAI WU RD. SEC 1,  
HSI-CHIH, TAIPEI HSIEN, TAIWAN 221  
TEL: +886 2 8698 3000 FAX: +886 2 8698 3456

Title: FPGA Banks, Anti Alias Filters

Size	Document Number	Rev
A3	PVNO-Z2	R10

Date: Monday, March 19, 2018 Sheet 11 of 15

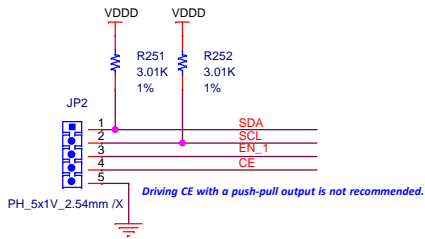




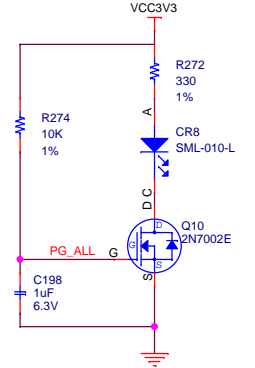
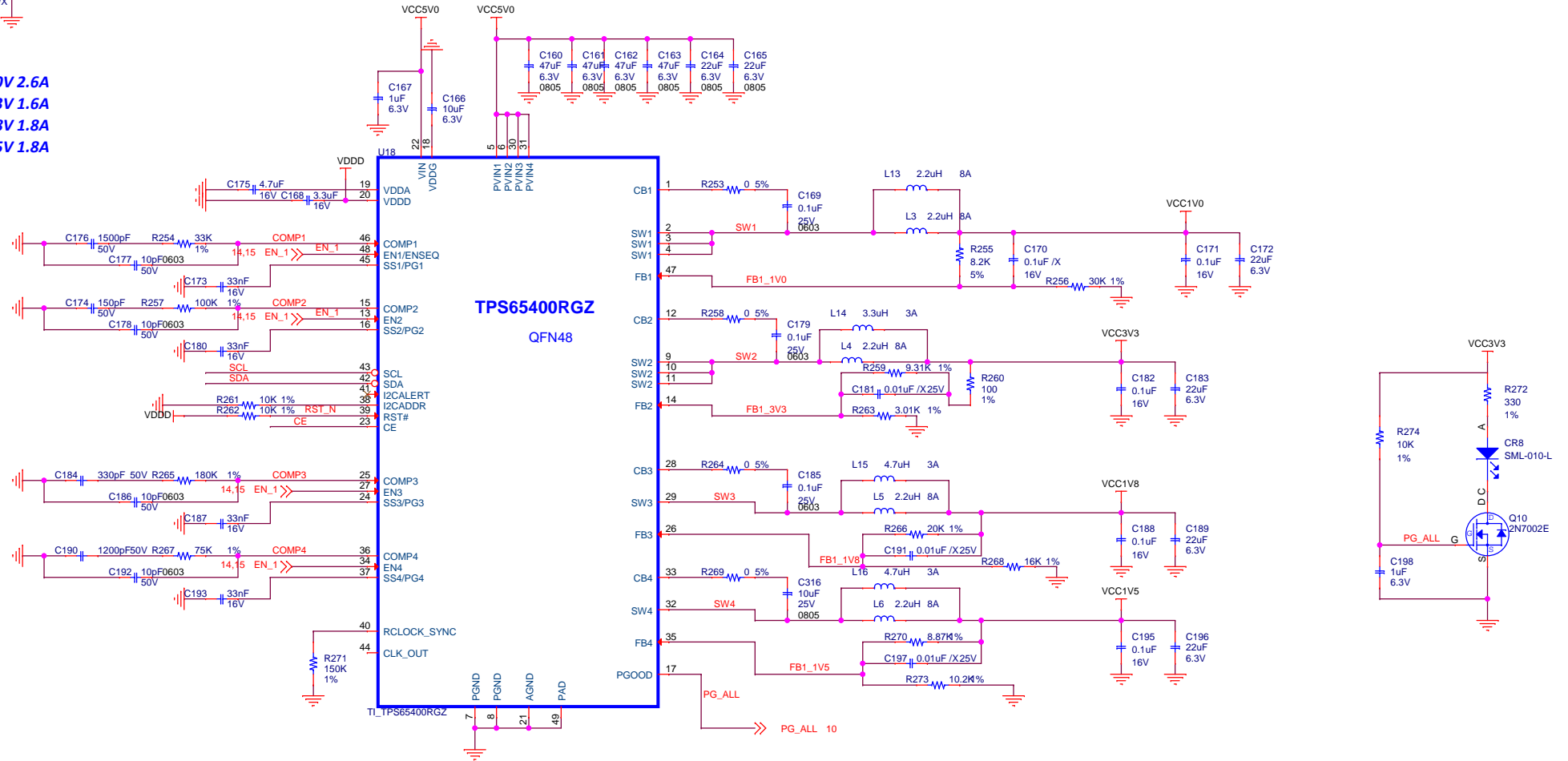
Tul Corporation

7F-7, NO. 79, HSIEN TAI WU RD. SEC 1,  
HSI-CHIH, TAIPEI HSIEN, TAIWAN 221  
TEL: +886 2 8698 3000 FAX: +886 2 8698 3456

Title	DDR3 Memory		
Size	Document Number	PYNQ-Z2	Rev
A3			R10
Date	Monday, March 19, 2018	Sheet	13 of 15



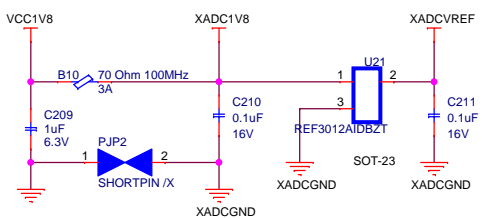
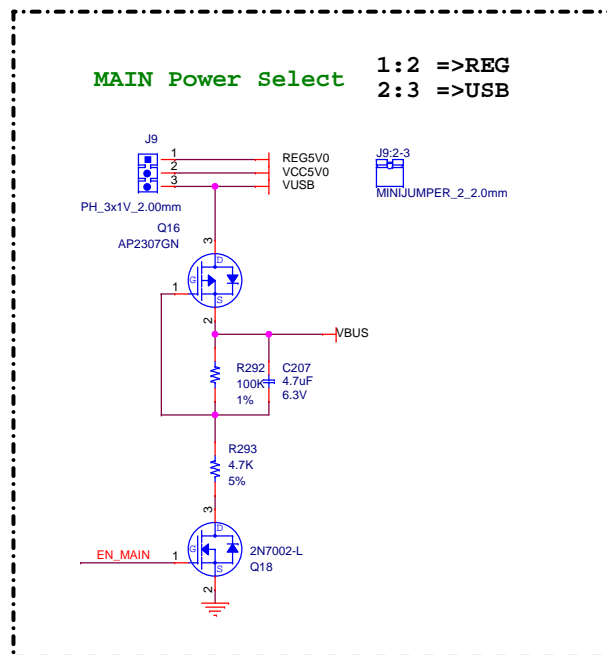
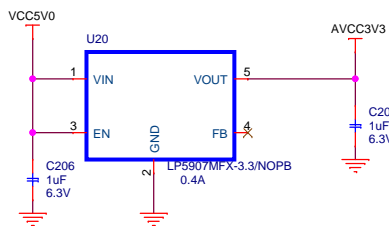
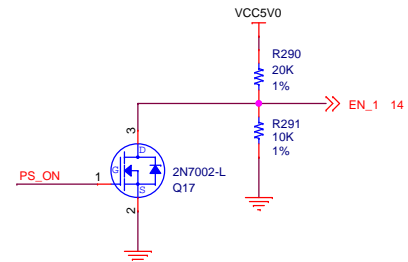
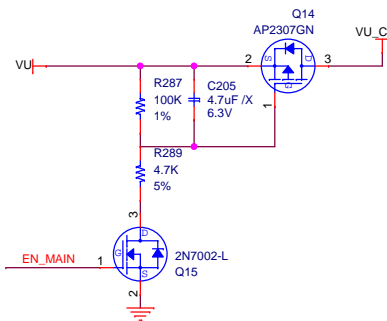
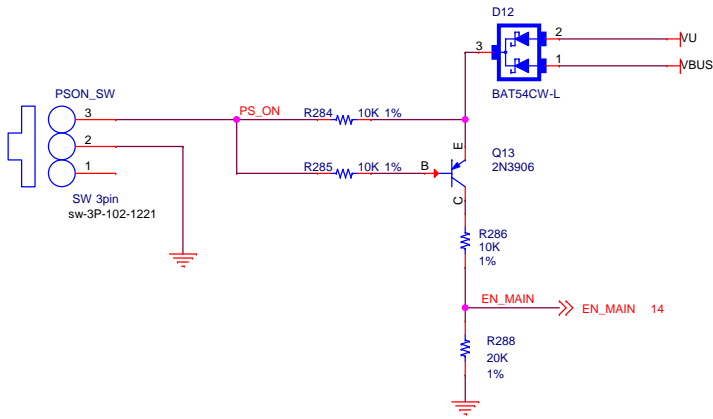
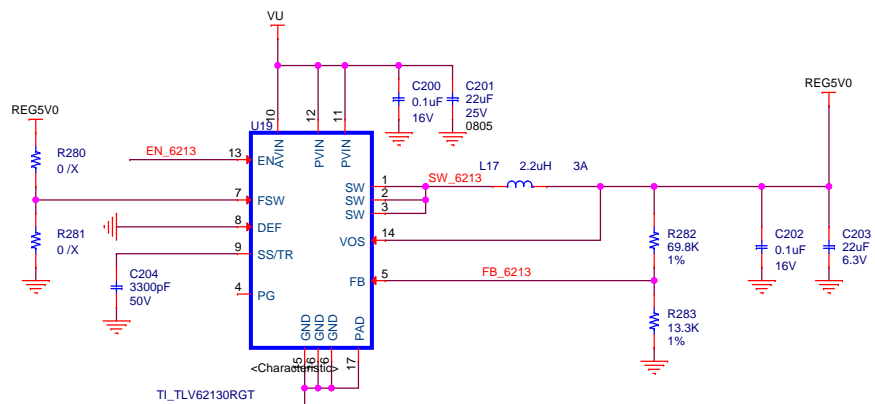
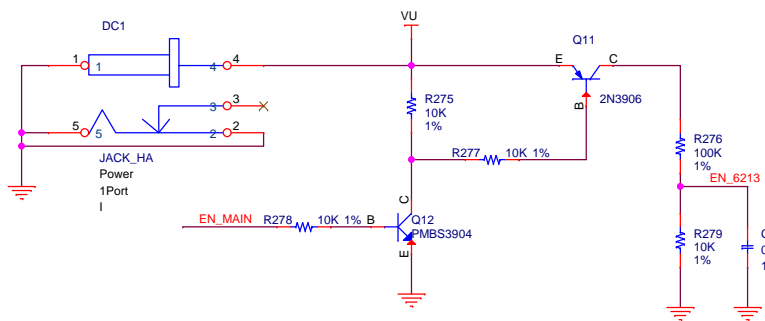
SW1 : 1.0V 2.6A  
 SW2 : 3.3V 1.6A  
 SW3 : 1.8V 1.8A  
 SW4 : 1.5V 1.8A



Tul Corporation

7F-7, NO. 79, HSIN TAI WU RD. SEC 1,  
 HSI-CHIH, TAIPEI HSIEN, TAIWAN 221  
 TEL: +886 2 8698 3000 FAX: +886 2 8698 3456

Power Regulation		
Title	Power Regulation	
Size	Document Number	Rev
A3	PVNO-ZZ	R10
Date:	Monday, March 19, 2018	Sheet 14 of 15



**Tul Corporation**  
 7F-7, NO.79, HSIN TAI WU RD. SEC 1,  
 HSI-CHIH, TAIPEI HSIEN, TAIWAN 221  
 TEL: +886 2 8698 3000 FAX: +886 2 8698 3456

**TUL**  
 撼訊科技  
 www.tul.com.tw

Title	Power Regulation 2		
Size	Document Number	PYNQ-Z2	Rev
A3			R10
Date:	Monday, March 19, 2018	Sheet	15 of 15